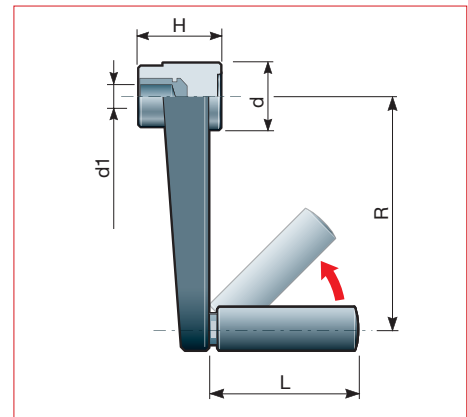
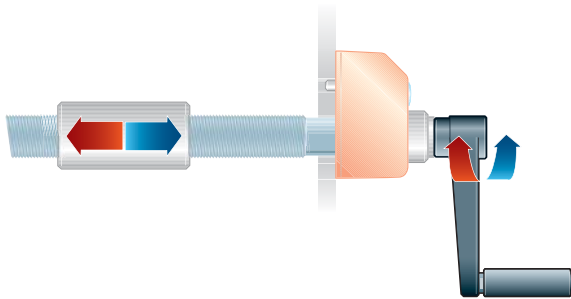


FIAMA

V.M

MANOVELLA CON MANICO PIEGHEVOLE
CRANK HANDLE WITH FOLDING HANDLE
KURBEL MIT UMLEGEGRIF

Materiale termoplastico, boccola in acciaio.
Thermoplastic material, steel bush.
Thermoplastisches Material mit Stahl-Büchse.



	R	H	d	d1	L
V.M-65	65	29	27	ø10	56
V.M-110	110	39	34	ø12	76
V.M-140	140	49	43	ø14	86